

SVETLANA TECHNICAL DATA

SV811-3

Low-Mu Power Triode



The Svetlana™ SV811-3 is a power triode intended for use in class A, AB, or B audio amplifiers. This tube features:

- Directly heated thoriated tungsten filament for soft glow and warm sound.
- Hard glass envelope with white ceramic base
- Low microphonic internal construction
- Titanium gettering system
- Tri-plate anode
- Superb aesthetic appearance

Characteristics

Electrical

Filament:	Thoriated-tungsten
Voltage (AC or DC)	6.3 ± 0.3 V
Current	4 A
Amplification factor	3.5
Transconductance	1700 μ S
Plate resistance	2000 ohms
Interelectrode capacitances (typical), with filament grounded:	
Grid to plate	8 pF
Grid to filament	7 pF

Mechanical

Cooling	Radiation and convection
Base	Ceramic, four pin, small
Basing diagram	JEDEC 4D
Socket	Svetlana SK4 or equivalent
Operating position-	Axis vertical, base down or horizontal w/ pins 1 and 4 in vertical plane

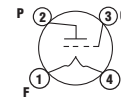
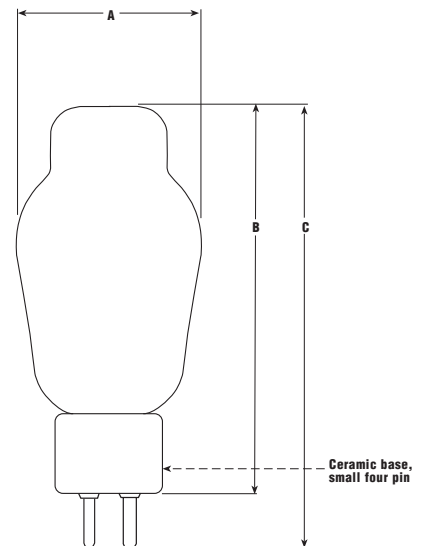
Nominal dimensions:

Diameter	57 mm (2.23 in.)
Base to top	133 mm (5.25 in.)
Overall height	150 mm (5.89 in.)
Net weight	100 g

Maximum ratings

DC plate voltage	800 V
Maximum-signal DC plate current	160 mA
Plate Dissipation	65 W

Svetlana Outline drawing



Notes:

The internal structure is aligned with respect to the base pins to avoid internal shorting problems in equipment designed for horizontal mounting.

- | | |
|------------|------------|
| 1 Filament | 3 Grid |
| 2 Plate | 4 Filament |

Dimensional Data

Dim.	Millimeters	Inches
A	57	2.23
B	133	5.25
C	150	5.89



Svetlana
ELECTRON DEVICES

Headquarters:

8200 South Memorial Parkway
Huntsville, AL 35802
USA
Phone: 205 882 1344
Fax: 205 880 8077

Marketing & Engineering:

3000 Alpine Road
Portola Valley, CA 94028
USA
Phone: 415 233 0429
Fax: 415 233 0439

www.svetlana.com

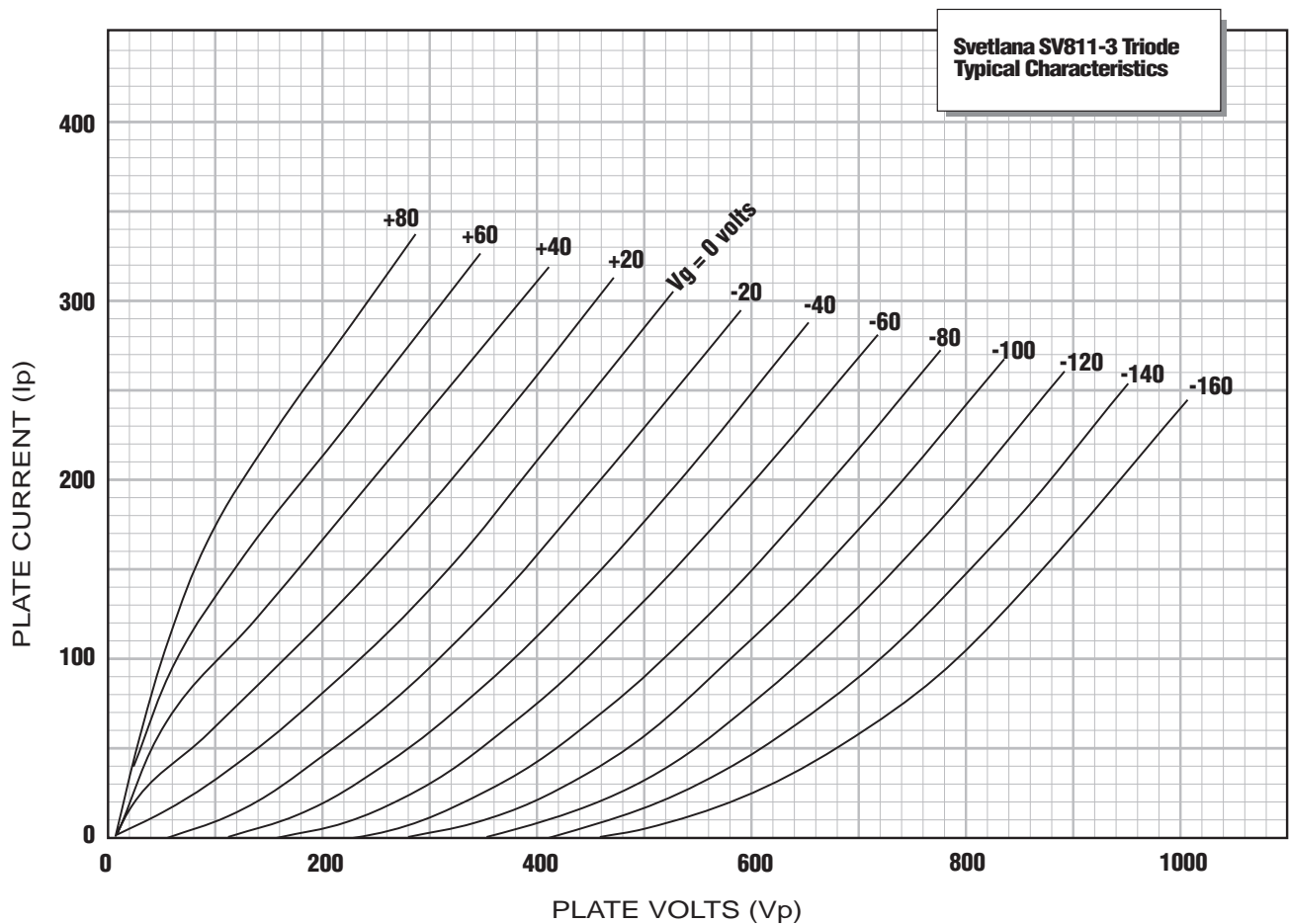
Svetlana SV811-3 Low-Mu Power Triode



Svetlana
ELECTRON DEVICES

Typical Operation, Audio Power Amplifier, Class AB₂, Two Tubes

DC plate voltage	600	V
DC grid voltage	-110	V
Peak grid to grid drive	350	V
DC plate current, zero signal (per tube)	100	mA
DC plate current, max signal (per tube)	160	mA
Effective load resistance (plate to plate)	10,000	Ohms
Power output	30	W



Note: A μ of 10 version of this tube type is available, the SV811-10