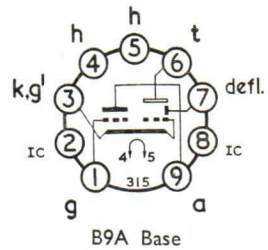


TUNING INDICATOR



GENERAL

This tuning indicator has a short grid-base and is suitable for use in tape recorders.

Heater Voltage	V_h	6.3	V
Heater Current	I_h	0.3	A

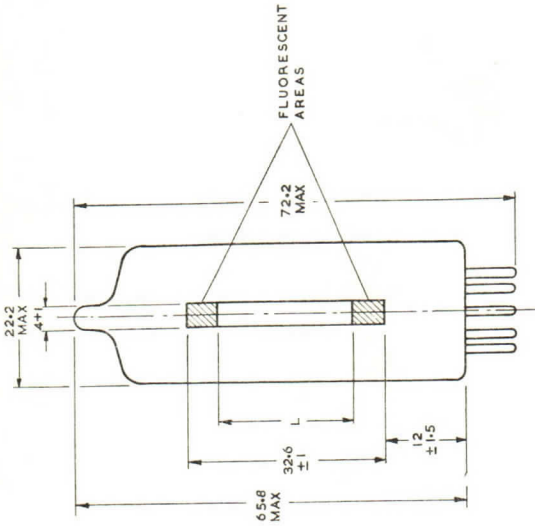
RATINGS

Maximum Anode Dissipation	$P_a(\max)$	0.6	W
Maximum Anode Supply Voltage	$V_{a(b)\max}$	550	V
Maximum Anode Voltage	$V_a(\max)$	300	V
Maximum Deflector Supply Voltage	$V_{def(b)\max}$	550	V
Maximum Deflector Voltage	$V_{def(\max)}$	300	V
Maximum Target Supply Voltage	$V_{t(b)\max}$	550	V
Maximum Target Voltage	$V_{t(\max)}$	300	V
Minimum Target Voltage	$V_{t(\min)}$	170	V
Maximum Heater to Cathode Voltage	$V_{h-k(\max)}$	250	V
Maximum Cathode Current	$I_k(\max)$	5.0	mA
Maximum Grid to Cathode Resistance	$R_{g-k(\max)}$	3.0	M Ω
Maximum Heater to Cathode Resistance	$R_{h-k(\max)}$	100	k Ω
Maximum Bulb Temperature	$T_{bulb(\max)}$	120	$^{\circ}\text{C}$

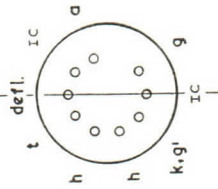
TYPICAL OPERATION (Deflector connected to Anode)

Supply Voltage	V_b	250	V
Target Voltage	V_t	250	V
Anode Resistance	R_a	100	k Ω
Grid to Cathode Resistance	R_{g-k}	3.0	M Ω
Grid Supply Voltage	$V_{g(b)}$	0	-10
Anode Current	I_a	2.0	0.5
Target Current	I_t	1.0	1.8
Length of column	L	21	0
			-1.5* mm

* This is a 1.5 mm overlap which can be utilised to indicate overloading.



DIRECTION OF
FILAMENT
WINDING
(TOLERANCE ± 3°)



B9A BASE

All dimensions in mm.

