

# SVETLANA TECHNICAL DATA

## 3CX800A7

### High-Mu Power Triode



The Svetlana™ 3CX800A7 is a high performance ceramic/metal high-mu power triode designed for use in communications and industrial service. The principal use is as Class AB<sub>2</sub>, Class B and Class C RF amplifiers.

The Svetlana 3CX800A7 may also be operated as a pulse modulator operating at maximum plate voltages to 4500 volts. Maximum plate current is 8 amps at a pulse duration of 100 microseconds.

The Svetlana 3CX800A7 is a direct replacement for the model 3CX800A7 manufactured in the United States.

### Characteristics

#### Electrical

Cathode	Oxide-coated unipotential	
Heater Voltage (AC or DC)	13.5 ± 0.6	V
Heater Current @ 13.5V	1.5	A
Amplification factor (average)	200	
Maximum Frequency for Full Ratings:		
CCS	350	MHz
ICAS	450	MHz
Interelectrode capacitances, with grid grounded:		
Input	26.0	pF
Output	6.1	pF
Plate-Cathode	0.05	pF

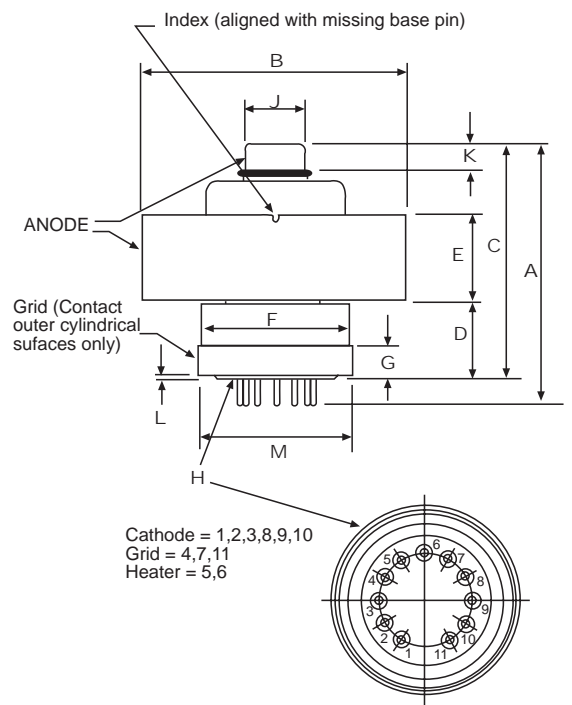
#### Mechanical

Cooling	Forced air	
Base	large 11 pin wafer (EIA E11-81)	
Socket	11 pin E.F. Johnson #124-311-100	
Anode Connector	Svetlana AC-1	
Operating position-	any	
Maximum dimensions:		
Diameter	64 mm	(2.52 in.)
Length	67 mm	(2.63 in)
Maximum operating temperature	250° C	
Net weight (average)	.341 kg (0.75 lb.)	

#### Maximum ratings

DC plate voltage	2500	V
Maximum-signal DC plate current	600	mA
Plate Dissipation	800	W
Grid Dissipation	4.0	W
DC grid current	60	mA

### Svetlana Outline drawing



#### Dimensional Data

Dim.	Millimeters		Inches	
	Min.	Max.	Min.	Max.
A	59.44	66.88	2.344	2.633
B	63.119	63.881	2.485	2.515
C	54.66	59.74	2.152	2.352
D	19.964	23.013	.786	.906
E	18.034	20.066	.710	.790
F	—	35.712	—	1.406
G	4.750	—	.187	—
H	BASE: E11-81 (EIA DESIGNATION)			
J	14.199	14.554	0.559	0.573
K	6.096	—	0.240	—
M	35.992	36.398	1.417	1.433

4/97



**Svetlana**  
ELECTRON DEVICES

#### Headquarters:

8200 South Memorial Parkway  
Huntsville, AL 35802  
USA  
Phone: 205 882 1344  
Fax: 205 880 8077

#### Marketing & Engineering:

3000 Alpine Road  
Portola Valley, CA 94028  
USA  
Phone: 415 233 0429  
Fax: 415 233 0439

[www.svetlana.com](http://www.svetlana.com)

# Svetlana 3CX800A7 High-Mu Power Triode



Typical Operation, Class AB <sub>2</sub> , Grounded Grid	CW	SSB	
DC plate voltage	2200	2200	V
DC cathode voltage	+8.2	+8.2	V
Zero signal plate current	-	15	mA
Plate current	500	313*	mA
DC grid current	36	16	mA
Cathode input impedance	54	54	ohms
Power output	750	750	W
RF driving power	23	23**	W
Resonant load impedance	2700	2700	Ohms

\*Two tone    \*\*Peak

Cooling Air at 25°C				
Anode* Dissipation Watts	Sea Level		5,000 Feet	
	Air Flow CFM	Pressure Drop Inches of Water	Air Flow CFM	Pressure Drop Inches of Water
400	6	0.09	7	0.10
600	11	0.20	14	0.23
800	19	0.50	23	0.57

Note: When cooling air inlet temperature is raised to 50°C, flow rate must be increased approximately 40%.

